

YG Rock Wool Products

1. Product Introduction



Blocks



Casings

YG Rock Wool product is made from high quality basalts by melting, spinning into fibers and thermal curing processes. The main Ingredients are Al_2O_3 , SiO_2 , Fe_2O_3 , CaO , MgO etc. It can be coated with glass cloth or aluminum foil fiber cloth according to the requests of clients. It can be shape into blocks, stiffeners and casings, mainly used as the insulating materials at cabin inner surfaces, stiffeners (T steels and ball steels), cable holders, and frozen pipes, hot water pipes, steam pipes, oil pipes, exposed pipes on open deck etc.

YG Rock Wool products have got the certifications of CCS, ABS and EC.



CCS



ABS



EC

2. Technical Specifications

Table 1 YG Rock Wool Technical Parameters

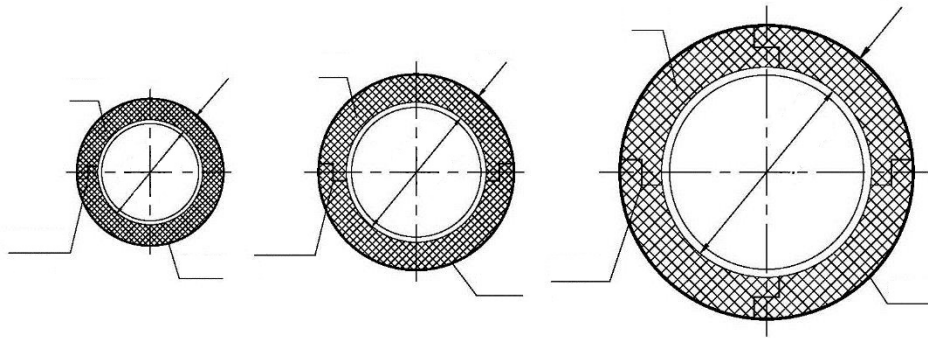
| Items | Technical Requirements |
|--------------------------------------|--|
| Toxicity | Accord with GJB3881, GJB7497 etc. |
| Non-combustibility | Accord with IMO.2010FTPC Part1 requirement |
| Asbestos test | Accord with <i>Hong Kong International Covention for the Safe and Environmentally Sound Recycling of Ships 2009.</i> |
| Apparent Density / kg/m ³ | 40 ~ 150 |
| Moisture Absorption Rate / % | ≤ 5 |
| Fiber Diameter / um | ≤ 7 |
| Residue Content / % (Φ ≥ 0.25 mm) | ≤ 12 |
| Thermal Conductivity / W/m·K | 25 ℃, 0.037~0.040 |
| Thermal Shrinkage Temperature / ℃ | 650 |
| Organic Compound Content / % | ≤ 3 |

3. Product Specifications

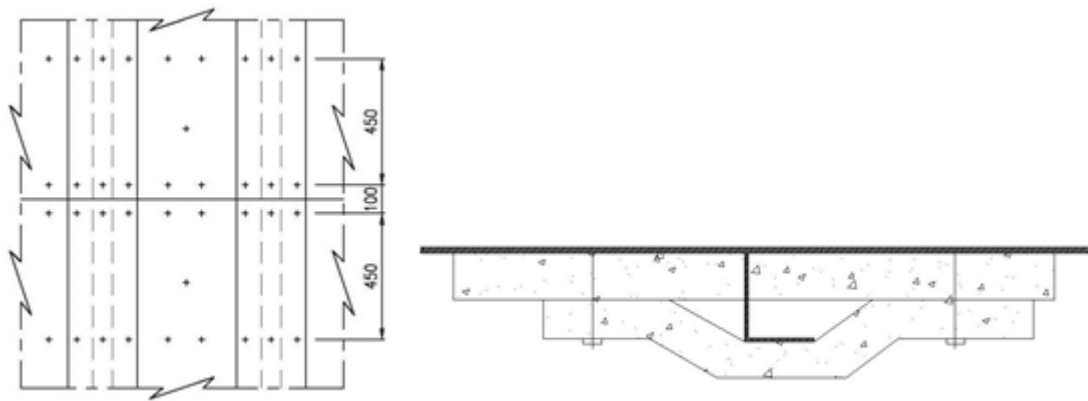
Table 2 YG Rock Wool Product Specifications

| Scope | Class | Density/ kg/m ³ | Dimension / mm | | | Coatings | Fixation | Areal Density/ kg·m ⁻² |
|-------------------------------|---------------|-------------------------------|--|-----|-----|--|--------------------------------------|---|
| | | | T | W | T | | | |
| Steel bulk head or deck | Incombustible | 100 | 1000 | 800 | 25 | Glass cloth or Aluminum foil glass cloth | Stud pins: 12~16/m ² ; | T=25: 2.5; |
| | | | | 700 | 50 | | | T=50: 5.5; |
| | | | | 600 | 75 | | | T=75: 8.5; |
| | | | | 500 | 100 | | | T=100: 10.5; |
| | | | Stiffeners according to the stiffener | | | | | |

4. Structures



Pipe Construction Model



Insulation Construction Model

5. Advantages

YG Rock Wool has been used in civil ships as thermal insulating material for more than 20 years. It has gotten the certifications of CCS, EC, LR, ABS, and NK. It's of high security, and economical. As A60 class material, it offers enough time to escape from emergencies.
